

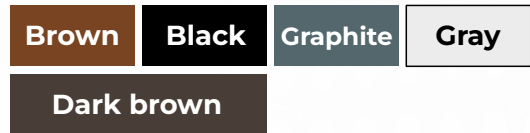
PIPE ROOF PENETRATION 1" - 3" PP-1-XX-MB1,1/4

Technical data sheet and performance declaration.

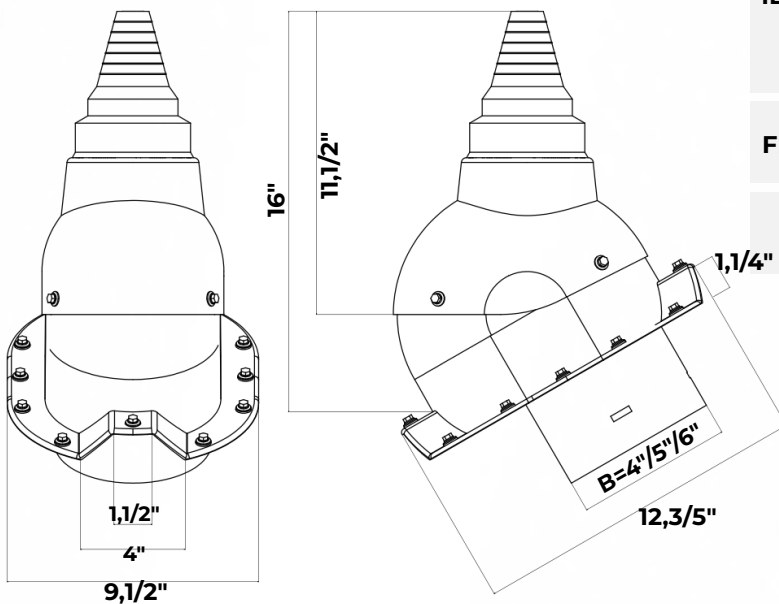
The iVent Pipe Flashing is reliable and durable solution designed for ventilation pipes up to 3 inches in diameter that penetrate your roof. This expertly designed flashing offers exceptional protection against snow and ice sliding off the roof, ensuring your ventilation system remains safe and effective. All while providing a dependable seal that prevents leaks and protects against water intrusion. Additionally, the unique design allows for the effortless replacement of the EPDM gasket without disrupting the roof connection. This feature makes maintenance and repairs quick and hassle-free.

TECHNICAL DATA

MATERIAL	UV stable pure Polypropylene
HEIGHT	15"
WEIGHT	1.95 lb
ROOF TYPE INSTALATION	METAL RIB PROFILE 1,1/4"
TYPE	IVENT PIPE PENETRATION
MAX PIPE DIAMETER	1" - 3"
ROOF PITCH REGULATION	3:12 TO 12:12 PITCH
PRODUCER	ROOFIVENT LLC
SKU	PP-1-XX-MB1,1/4
TECHNICAL AND PERFORMANCE ASSIGMENST UNIT	ITB



IDENTIFICATION PRODUCT CODE	PP-1-01-MB1,1/4 (Brown) PP-1-02-MB1,1/4 (Black) PP-1-07-MB1,1/4 (Dark brown) PP-1-09-MB1,1/4 (Graphite) PP-1-10-MB1,1/4 (Light Gray)
FLANGE FIXING	12 pcs. Hex washer head screws length 1,1/4"
BASE	PRE-INSTALL 1/2" BUTYL TAPE



LIFETIME GUARANTEE Roofivent LLC give lifetime guarantee on functionality of these products. Guarantee doesn't include replacement due to destructive storms.

DATA TABLE SHEET

CHARACTERISTICS	PERFORMANCE PROPERTIES	ASSESSMENTS METHODS
Height (A) Inside diameter (B)	Attachement -A Dimensions	Measurement with measuring instrument with adequate accuracy
Vicat softening temperature of Pducts: Fahrenheit	>167	ISO 306:2014 (method B50)
Changes as result of heating Polypropylene product	No cracks, delamination and sign of material fission or bubbles greater than 20% of the wall thickness: No part of theseam line exhibits an opening greater than 20% of the wall thickness	ISO 580:2006 method A: dryerTemperature: 300 F Time of heating: 30 min
Impact strength of Polypropyleneproduct	No damages	Drop method according to C-89206-2005 Temperature: 32 F Conditioning time: 30 min Drop height: 7 feet
Aerodynamic characteristics	Attachment - B	
Durability of Polypropylene products -resistance to aging in artificial conditions,with irradiation energy not lower than 2.6GJ/ft ²	Delta E < 6	Method: A Type of lamps: xenon ARC Filter: external, type 300 (cuts off radiation below 300 nm) Irradiance: 60 W/ft ² (measured at 300-400 nm wavelength) BST temperature: 145+37 F (dry period) Chamber temperature: 100+37 F (dryperiod) Exposure conditions: one cycle included 102 minutes of exposure in a dryenviroment and 18 minutes of exposure in a humid enviroment

Package includes: Roofivent Pipe Flashing with EPDM seal, base for metal RIB profile instalation, set of screws, installation instructions

iVent Pipe Flashing

Resistant penetration solution for ventilation pipe. Our ventilation pipe flashing is designed to provide penetration protection and a reliable waterproof solution. The innovative design allows simple replacement of the seal without the need to disrupt the connection to the roof, so maintenance or repair is quick and hassle-free.

Features and benefits

- seals and protect pipe penetration from 1" to 3" in diameter
- durable construction from high-quality UV stable pure polypropylene, offer exceptional durability, and weather resistance all year round.
- simple replacement of the EPDM seal if needed without the need to disrupt the watertight connection to the roof, so maintenance or repair is quick and inexpensive.

01 - BROWN



PP-1-01-PI

02 - BLACK



PP-1-02-PI

07 - DARK BROWN



PP-1-07-PI

09 - GRAPHITE



PP-1-09-PI

10 - LIGHT GRAY



PP-1-10-PI

Roofivent Pipe Flashing is the perfect choice for those looking for a reliable and efficient solution that is easy to install and built to last.

Package includes: Roofivent Pipe Flashing with EPDM seal, base for metal RIB profile installation, set of screws, installation instructions