

# IVENT ROTO ATTIC PG (ROUND)

## Technical data sheet and performance declaration.

The iVent ROTO active ventilation system with a wind powered turbine is a cutting-edge solution for attics where effective ventilation is required.

The iVent ROTO offers a best combination of non-compromise functionality, durability, and easy installation. The angle of attack of the turbine blades together with the rotation creates an effective airflow optimization for superior ventilation performance in attic. Equipped with a condensate drainage system, it prevents the accumulation of moisture in the attic or house structure. Built-in spirit levels ensure easy vertical position and adjustment during installation.

### TECHNICAL DATA

<b>MATERIAL</b>	UV stable pure Polypropylene
<b>HEIGHT</b>	20,3/4"
<b>WEIGHT</b>	5 lbs
<b>ROOF TYPE INSTALLATION</b>	SHINGLE, SLATE AND SHAKE INSTALLATION
<b>TYPE</b>	IVENT ROTO SPHERICAL
<b>ROOF PITCH REGULATION</b>	1:12 TO 12:12 PITCH
<b>PRODUCER</b>	ROOFIVENT LLC
<b>SKU</b>	RLK-X-XX-PG
<b>TECHNICAL AND PERFORMANCE ASSIGNMENT UNIT</b>	ITB

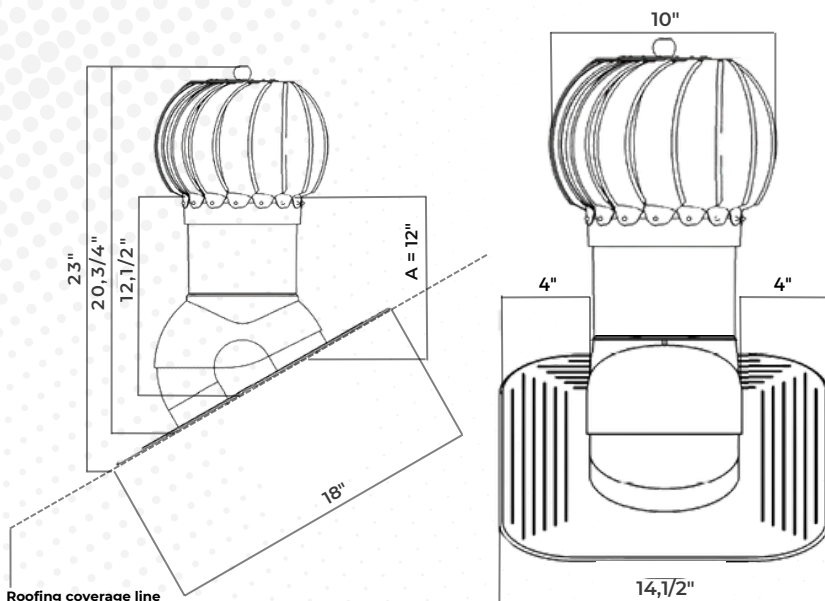


Brown 01	Black 02	Clay 06	Graphite 09	Gray 10
-------------	-------------	------------	----------------	------------

<b>IDENTIFICATION PRODUCT CODE</b>	RLK-X-01-PG ( Brown ) RLK-X-02-PG ( Black ) RLK-X-06-PG ( Clay ) RLK-X-09-PG ( Graphite ) RLK-X-10-PG ( Light Gray )
------------------------------------	--

<b>INSTALLATION FLANGE SIZE</b>	4"
---------------------------------	----

<b>Attachement</b>	<ul style="list-style-type: none"> <li>• Verification of constancy of performance</li> <li>• Aerodynamical performance</li> </ul>
--------------------	---



LIFETIME GUARANTEE Roofivent LLC lifetime guarantee on functionality. Guarantee doesn't include replacement due to destructive storms.



### DATA TABLE SHEET

CHARACTERISTICS	PERFORMANCE PROPERTIES	ASSESSMENTS METHODS
Dimensions : • Height (A) • Inside diameter (B)	Attachement -A Dimensions	Measurement with measuring instrument with adequate accuracy
Vicat softening temperature of PP products: Fahrenheit	>167	ISO 306:2014 (method B50)
Changes as result of heating Polypropylene product	No cracks, delamination and sign of material fission or bubbles greater than 20% of the wall thickness: No part of the seam line exhibits an opening greater than 20% of the wall thickness	ISO 580:2006 method A: dryer Temperature: 300 F Time of heating: 30 min
Impact strength of Polypropylene product	No damages	Drop method according to C-89206-2005 Temperature: 32 F Conditioning time: 30 min Drop height: 7 feet
Aerodynamic characteristics	Attachment - B	
Suction action	Attachment - B	
Durability of Polypropylene products - resistance to aging in artificial conditions, with irradiation energy not lower than 2.6 GJ/sq. feet	Delta E < 6	Method: A Type of lamps: xenon ARC Filter: external, type 300 (cuts off radiation below 300 nm) Irradiance: 60 W/Sq.Feet (measured at 300-400 nm wavelength) BST temperature: 145+37 F (dry period) Chamber temperature: 100+37 F (dry period) Exposure conditions: one cycle included 102 minutes of exposure in a dry environment and 18 minutes of exposure in a humid environment

**IVENT ROTO ATTIC effectively ventilates 450 sq.ft Attic floor space According to code minimum as listed in the 2012 International Residential Building Code, (IRC), Section R806 – Roof Ventilation. The minimum net free ventilating area must be 1/150 of the vented space. However, a ratio of 1/300 is commonly used when specific conditions are met, such as: 1. installing In Climate Zones 6, 7 and 8, a Class I or II vapor retarder is installed on the warm-in-winter side of the ceiling. 2. Not less than 40 % and not more than 50 % of the required ventilating area is provided by ventilators located in the upper portion of the attic or rafter space. Upper ventilators shall be located not more than 3 feet below the ridge.**

#### Calculation in compliance with the attic ventilation ratio of 1/300

Balanced attic ventilation	Attic floor space	450sq feet	900sq feet	1350sq feet	1800sq feet
	IVENT ROTO ATTIC (exhaust)	<b>1</b>	<b>2</b>	<b>3</b>	<b>4</b>
	Intake ventilation size	108sq in	219sq in	327sq in	425sq in

#### Calculation in compliance with the attic ventilation ratio of 1/150

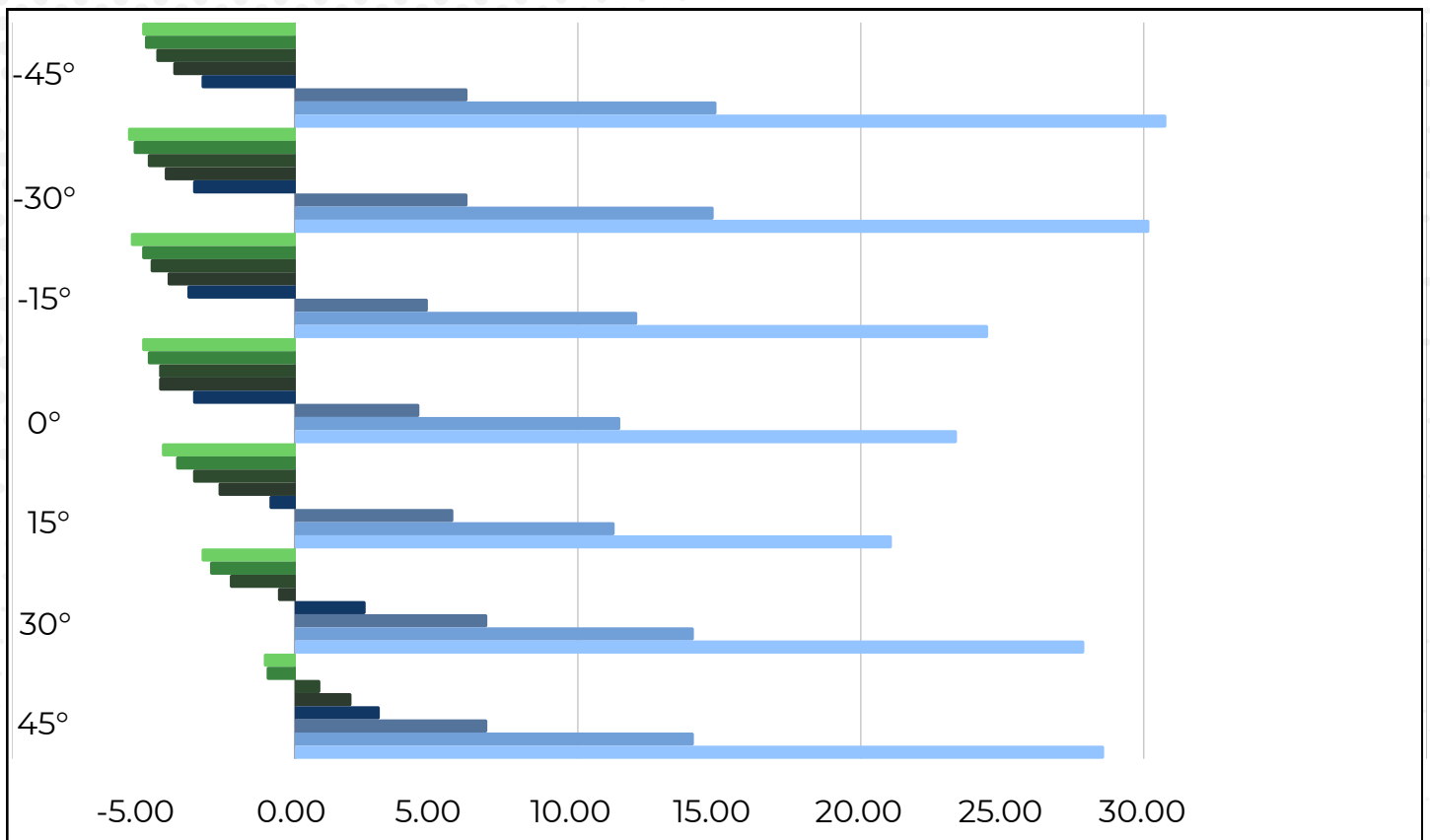
Balanced attic ventilation	Attic floor space	450sq feet	900sq feet	1350sq feet	1800sq feet
	IVENT ROTO ATTIC (exhaust)	<b>2</b>	<b>4</b>	<b>6</b>	<b>8</b>
	Intake ventilation size	219sq in	480sq in	720sq in	960sq in

Package includes: IVENT ROTO vent, base for shingle, slate and shake installation, set of screws, installation instructions

Aerodynamical performance	Attic ventilation	
Product	Ivent ROTO ATTIC 1 unit	
IVENT ROTO ATTIC Round	450 Attic floor space	
SUCTION PERFORMANCE	WIND SPEED	9 M/h
	EFFICIENCY	117,6 CFM
Negative pressure developed by the turbine		7,0 Pa

## IVENT ROTO - AERODYNAMIC PERFORMANCE

Pressure coefficient C							
Product Volume Flow	Wind speed 18 mile/h						
	Angle of wind						
	CFM	- 45°	- 30°	- 15°	0°	15°	30°
0	-5.40	-5.90	-5.80	-5.40	-4.70	-3.30	-1.10
32	-5.30	-5.70	-5.40	-5.20	-4.20	-3.00	-1.00
64	-4.90	-5.20	-5.10	-4.80	-3.60	-2.30	0.90
95	-4.30	-4.60	-4.50	-4.80	-2.70	-0.60	2.00
127	-3.30	-3.60	-3.80	-3.60	-0.90	2.50	3.00
255	6.10	6.10	4.70	4.40	5.60	6.80	6.80
509	14.90	14.80	12.10	11.50	11.30	14.10	14.10
1018	30.80	30.20	24.50	23.40	21.10	27.90	28.60



Package includes: IVENT ROTO vent, base for shingle, slate and shake installation, set of screws, installation instructions

The Ivent ROTO active ventilation system with a wind powered turbine is a cutting-edge solution for attics where effective ventilation is required.

The Ivent ROTO offers a best combination of non-compromise functionality, durability, and easy installation. The angle of attack of the turbine blades together with the rotation creates an effective airflow optimization for superior ventilation performance in the attic or ventilated areas. Equipped with a condensate drainage system, it prevents the accumulation of moisture in the house structure. Built-in spirit levels ensure easy vertical position and adjustment during installation.

### Key Features:

- Condensation Drainage System:
- Equipped with a condensation drain system to protect the unit from moisture and frost, ensuring year-round dryness and operational efficiency.
- Maintains longevity and efficiency of the vent, making it a reliable choice for attic ventilation needs.
- Ball Bearings:
- Superior encapsulated bearing system with two bearings immersed in high-quality oil for smooth and silent operation.
- Guarantees durability, reliability, and optimal performance for an extended product life.

### Installation:

- Designed for easy and reliable installation, allowing for simple disassembly without roof intervention for inspection and maintenance.
- Base options for shingles, slate, or shakes with a 4" flange for reliable incorporation and connection with roofing materials.

### Bubble Level:

- Built-in bubble level ensures precise vertical positioning during installation, saving time and money by eliminating the need for adjustments.
- Guarantees professional and accurate placement every time.

01-BROWN



02-BLACK



06-CLAY



09-GRAPHITE



10-LIGHT GRAY



6"

RLK-6-01-PG

RLK-6-02-PG

RLK-6-06-PG

RLK-6-09-PG

RLK-6-10-PG

**The Ivent ROTO Vent is the best choice for those who looking for superior reliability and an unrivaled efficiency ventilation solution that is easy to install and built to last.**

Package includes: IVENT ROTO vent, base for shingle, slate and shake installation, set of screws, installation instructions