

# IVENT ECO PG

For Bathroom, Kitchen or Dryer exhaust

## Technical data sheet and performance declaration.

iVent ECO a desirable choice for both residential and commercial applications where effective ventilation is required in kitchens, bathrooms or dryer. The iVent ECO exhaust vent offers a combination of functionality, durability and easy installation. The shape of the vent body is designed to support airflow and ensure effective ventilation. Equipped with a condensate drainage system, it prevents the accumulation of moisture in the duct and structure. Built-in spirit levels ensure easy vertical position and adjustment during installation. Use with new or existing 4", 5" or 6" duct systems.

### TECHNICAL DATA

<b>MATERIAL</b>	UV stable pure Polypropylene
<b>HEIGHT</b>	20"
<b>VENT INTAKE PIPE</b>	4", 5", 6"
<b>WEIGHT</b>	3,42 lb
<b>ROOF TYPE INSTALLATION</b>	SHINGLE, SLATE AND SHAKE INSTALLATION
<b>TYPE</b>	IVENT ECO
<b>ROOF PITCH REGULATION</b>	1:12 TO 12:12 PITCH
<b>PRODUCER</b>	ROOFIVENT LLC
<b>SKU</b>	EL-X-XX-PG
<b>TECHNICAL AND PERFORMANCE ASSIGMENT UNIT</b>	ITB

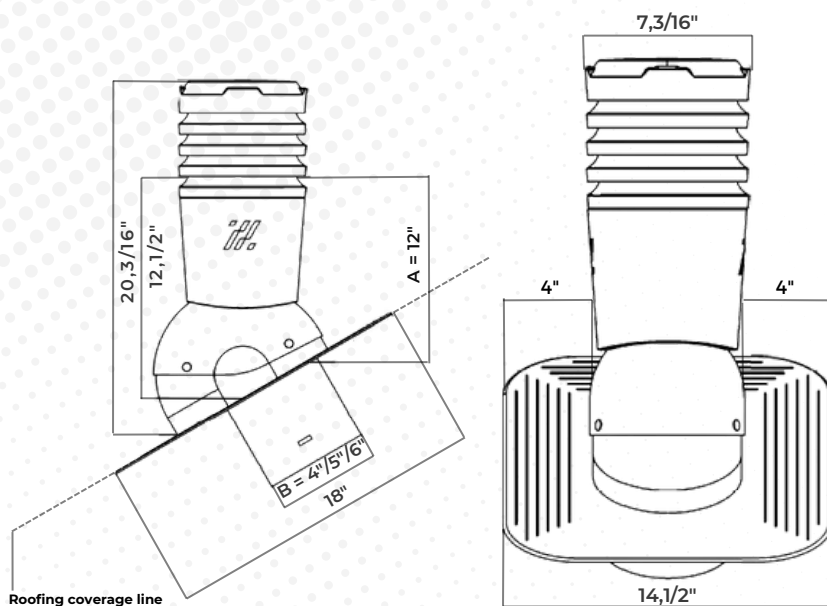


Brown 01	Black 02	Clay 06	Graphite 09	Gray 10
-------------	-------------	------------	----------------	------------

<b>IDENTIFICATION PRODUCT CODE</b>	EL-X-01-PG ( Brown ) EL-X-02-PG ( Black ) EL-X-06-PG ( Clay ) EL-X-09-PG ( Graphite ) EL-X-10-PG ( light Gray )
------------------------------------	---

<b>INSTALLATION FLANGE SIZE</b>	4"
---------------------------------	----

- Build in condensation drainage system
  - Build in two spirit levels
- Attachement**
- Verification of constancy of performance
  - Aerodynamical performance



LIFETIME GUARANTEE Roofivent LLC lifetime guarantee on functionality. Guarantee doesn't include replacement due to destructive storms.



**The performance of the above product is in accordance with the set of declared performance characteristics. This declaration of performance is issued on the basis of tests and technical assessment by ITB. Under the sole responsibility of the manufacturer - ROOFIVENT LLC.**

**DATA TABLE SHEET**

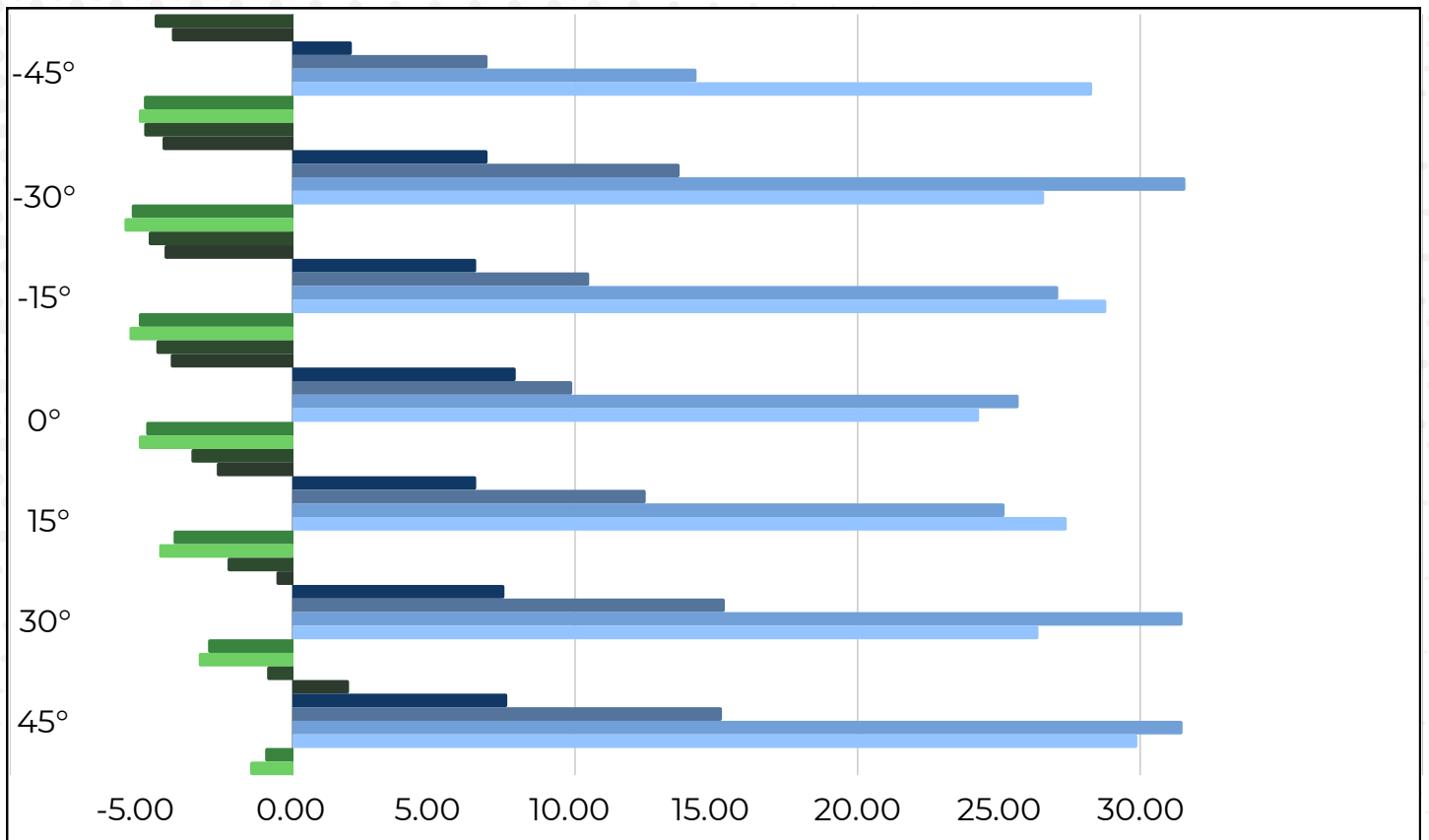
<b>CHARACTERISTICS</b>	<b>PERFORMANCE PROPERTIES</b>	<b>ASSESSMENTS METHODS</b>
Dimensions : • Height (A) • Inside diameter (B)	Attachement -A Dimensions	Measurement with measuring instrument with adequate accuracy
Vicat softening temperature of PP products: Fahrenheit	>167	ISO 306:2014 (method B50)
Changes as result of heating Polypropylene product	No cracks, delamination and sign of material fission or bubbles greater than 20% of the wall thickness: No part of the seam line exhibits an opening greater than 20% of the wall thickness	ISO 580:2006 method A: dryer Temperature: 300 F Time of heating: 30 min
Impact strength of Polypropylene product	No damages	Drop method according to C-89206-2005 Temperature: 32 F Conditioning time: 30 min Drop height: 7 feet
Aerodynamic characteristics	Attachment - B	
Suction action	Attachment - B	
Durability of Polypropylene products - resistance to aging in artificial conditions, with irradiation energy not lower than 2.6 GJ/sq. feet	Delta E < 6	Method: A Type of lamps: xenon ARC Filter: external, type 300 (cuts off radiation below 300 nm) Irradiance: 60 W/Sq.Feet (measured at 300-400 nm wavelength) BST temperature: 145+37 F (dry period) Chamber temperature: 100+37 F (dry period) Exposure conditions: one cycle included 102 minutes of exposure in a dry enviroment and 18 minutes of exposure in a humid enviroment

Package includes: IVENT ECO vent, base for shingle, slate and shake installation, vent inlet pipe, set of screws, installation instructions

Aerodynamical performance		Kitchen and Bathroom exhaust vent		Air Flow
		SPEED M/h (differential pressure)	CFM (Cubic Feet/Min.)	
Product	Dimension			
IVENT ECO	6" / 5" / 4"	6.34	69.90	1018 CFM
		8.96	96.60	
		12.67	134.00	
		20.04	205.90	

## IVENT ECO - AERODYNAMIC PERFORMANCE

Pressure coefficient C							
Product Volume Flow	Wind speed 18 mile/h						
	Angle of wind						
CFM	- 45°	- 30°	- 15°	0°	15°	30°	45°
0	-5.44	-5.95	-5.77	-5.44	-4.72	-3.32	-1.50
32	-5.26	-5.69	-5.44	-5.18	-4.21	-2.99	-0.97
64	-4.88	-5.25	-5.09	-4.82	-3.58	-2.30	-0.90
95	-4.27	-4.60	-4.53	-4.31	-2.68	-0.57	2.00
127	2.10	6.90	6.50	7.90	6.50	7.50	7.60
255	6.90	13.70	10.50	9.90	12.50	15.30	15.20
509	14.30	31.60	27.10	25.70	25.20	31.50	31.50
1018	28.30	26.60	28.80	24.30	27.40	26.40	29.90



Package includes: IVENT ECO vent, base for shingle, slate and shake installation, vent inlet pipe, set of screws, installation instructions

The **iVent ECO** vent is a high-quality ventilation solution that combines functionality, durability, and ease of installation. Designed with a focus on maximizing air flow efficiency, this vent is equipped with innovative features to ensure optimal ventilation performance. From its condensation drain system to its built-in bubble levels, the Ivent ECO vent is a reliable choice for maintaining a dry and well-ventilated environment in any weather all year round. With a variety of colors available to suit different roof styles and aesthetics, this vent is versatile and can be seamlessly integrated into various settings. Whether for residential or commercial use, the Ivent ECO vent is ideal for kitchens and bathrooms where efficient vertical ventilation is essential.

**Key Features:**

- Optimal air draft efficiency with the vent body shape designed for maximum ventilation performance.
- Condensation drain system prevents moisture and frost build-up, ensuring a dry environment year-round.
- Built-in bubble levels for precise vertical positioning during installation, saving time and money by ensuring correct placement.
- Available in a variety of colors to complement different roof styles and aesthetics.
- Compatible with existing 4", 5", or 6" systems, offering versatility in installation options.
- Suitable for both residential and commercial applications, making it an excellent choice for kitchens and bathrooms requiring efficient vertical ventilation.

**Benefits:**

- Ensures effective extraction of used air from kitchen and bathroom areas.
- Thanks to its aerodynamic properties, it does not require a backdraft damper.
- Protects the ventilation system and the house structure from condensation.
- Facilitates accurate and easy installation
- Offers versatility in installation options

1-BROWN

2-BLACK

6-CLAY

9-GRAPHITE

10-LIGHT GRAY



4"	EL-4-01-PG	EL-4-02-PG	EL-4-06-PG	EL-4-09-PG	EL-4-10-PG
5"	EL-5-01-PG	EL-5-02-PG	EL-5-06-PG	EL-5-09-PG	EL-5-10-PG
6"	EL-6-01-PG	EL-6-02-PG	EL-6-06-PG	EL-6-09-PG	EL-6-10-PG

**The Ivent ECO Vent is the perfect choice for those looking for a reliable and efficient ventilation solution that is easy to install and built to last.**

Package includes: IVENT ECO vent, base for shingle, slate and shake installation, vent inlet pipe, set of screws, installation instructions