

IVENT FLOW WP-2-XX-PI

Technical data sheet and performance declaration.

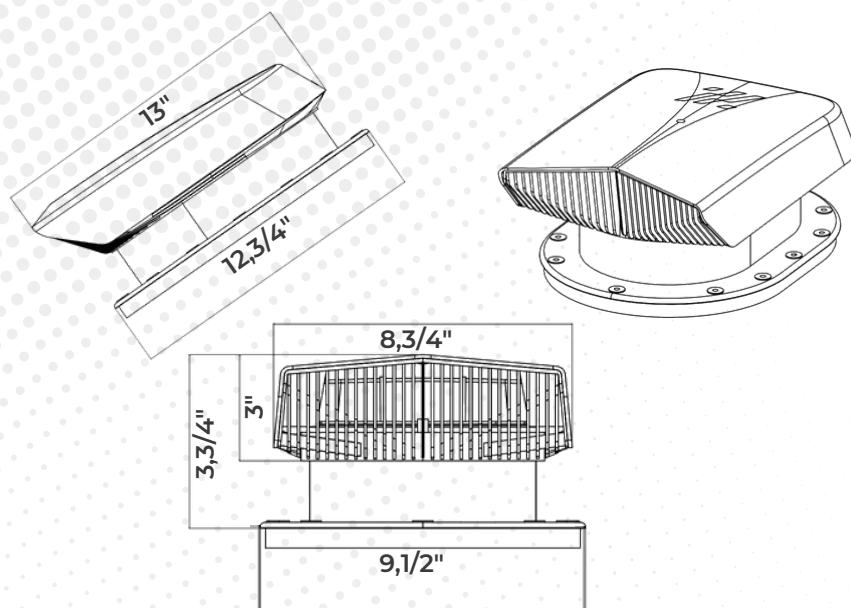
Ivent **FLOW PI** is cutting-edge static low-profile attic vent. Designed for standing seam metal installation. With its meticulously engineered design, Ivent FLOW PI boasts the most efficient ventilation opening available on the market, facilitating superior airflow despite its minimal profile. This innovative vent can be seamlessly utilized as both an exhaust and intake vent, thanks to its versatile and well-considered construction. Constructed from our time-tested UV stable pure polypropylene and precise construction guarantee maximum hail toughness and weather resistance. With pre-installed 1/2" butyl tape for easy and reliable installation. The butyl instant bond, flexibility, weather resistance and self-healing properties are essential for reliable long-term performance.

TECHNICAL DATA

MATERIAL	UV stable pure Polypropylene
HEIGHT	3,3/4 "
WEIGHT	1.95 lb
ROOF TYPE INSTALLATION	STANDING SEAM OR SNAP LOCK ROOFING
TYPE	IVENT FLOW PI
ROOF PITCH INSTALLATION	3:12 TO 24:12 PITCH
PRODUCER	ROOFIVENT LLC
SKU	WP-2-XX-PI
TECHNICAL AND PERFORMANCE ASSIGMENTST UNIT	ITB



Brown Black Graphite Gray



IDENTIFICATION PRODUCT CODE	WP-2-01-PI (Brown) WP-2-02-PI (Black) WP-2-09-PI (Graphite) WP-2-10-PI (light Grey)
FLANGE FIXING	12 pcs. Hex washer head screws Length 1,1/4"
BASE	PRE-INSTALL 1/2" BUTYL TAPE
Attachement	<ul style="list-style-type: none"> • Verification of constancy of performance • Aerodynamical performance

LIFETIME GUARANTEE Roofivent LLC give lifetime guarantee on functionality of these products. Guarantee doesn't include replacement due to destructive storms.



Aerodynamical performance		Attic Vent
Product	Dimension	NFA for roof attic exhaust or intake ventilation
IVENT FLOW	53 in ²	53 in ² = 0,37 ft ²

Calculation in compliance with the attic ventilation ratio of 1/300

BALANCED ATTIC VENTILATION	Attic floor space	500 ft ²	1000 ft ²	1500 ft ²	2000 ft ²
	Total NFT (NET FREE AREA)	120 sq. in.	240 sq. in.	360 sq. in.	480 sq. in.
	FLOW EXHAUST VENTS NEEDED	3 pcs	5 pcs	7 pcs	9 pcs
	FLOW INTAKE VENTS NEEDED	3 pcs	5 pcs	7 pcs	9 pcs
	OR INTAKE SUFFIT VENTILATION	120 sq. in.	240 sq. in.	360 sq. in.	480 sq. in.

Calculation in compliance with the attic ventilation ratio of 1/150

BALANCED ATTIC VENTILATION	Attic floor space	500 ft ²	1000 ft ²	1500 ft ²	2000 ft ²
	Total NFT (NET FREE AREA)	240 sq. in.	480 sq. in.	720 sq. in.	960 sq. in.
	FLOW EXHAUST VENTS NEEDED	5 pcs	9 pcs	14 pcs	19 pcs
	FLOW INTAKE VENTS NEEDED	5 pcs	9 pcs	14 pcs	19 pcs
	OR INTAKE SUFFIT VENTILATION	240 sq. in.	480 sq. in.	720 sq. in.	960 sq. in.

1 iVent FLOW unit provides 53 sq. in. of net free area (NFA).

According to code minimum as listed in the 2012 International Residential Building Code, (IRC), Section R806 – Roof Ventilation.

The minimum net free ventilating area must be 1/150 of the vented space.

However, a ratio of 1/300 is commonly used when specific conditions are met, such as:

1. installing In Climate Zones 6, 7 and 8, a Class I or II vapor retarder is installed on the warm-in-winter side of the ceiling.
2. Not less than 40 % and not more than 50 % of the required ventilating area is provided by ventilators located in the upper portion of the attic or rafter space. Upper ventilators shall be located not more than 3 feet below the ridge.

DATA TABLE SHEET

CHARACTERISTICS	PERFORMANCE PROPERTIES	ASSESSMENTS METHODS
Dimensions : • Height (A) • Inside diameter (B)	Attachement -A Dimensions	Measurement with measuring instrument with adequate accuracy
Vicat softening temperature of PP products: Fahrenheit	>167	ISO 306:2014 (method B50)
Changes as result of heating Polypropylene product	No cracks, delamination and sign of material fission or bubbles greater than 20% of the wall thickness: No part of the seam line exhibits an opening greater than 20% of the wall thickness	ISO 580:2006 method A: dryer Temperature: 300 F Time of heating: 30 min
Impact strength of Polypropylene product	No damages	Drop method according to C-89206-2005 Temperature: 32 F Conditioning time: 30 min Drop height: 7 feet
Aerodynamic characteristics	Attachment - B	
Durability of Polypropylene products - resistance to aging in artificial conditions, with irradiation energy not lower than 2.6 GJ/ft ²	Delta E < 6	Method: A Type of lamps: xenon ARC Filter: external, type 300 (cuts off radiation below 300 nm) Irradiance: 60 W/ft ² (measured at 300-400 nm wavelength) BST temperature: 145+37 F (dry period) Chamber temperature: 100+37 F (dry period) Exposure conditions: one cycle included 102 minutes of exposure in a dry enviroment and 18 minutes of exposure in a humid enviroment

Package includes: IVENTFLOW, base with butyl for metal standing seam installation, set of screws, installation instructions

iVent **FLOW PI** is designed for efficient attic ventilation. The designed and precisely calculated vent shape allows the best-in-class ventilation opening on the market for airflow even with a very low vent profile. The unique and well-thought-out design allows iVent FLOW to be used as an attic exhaust or intake vent. Our years-proven UV stable pure polypropylene and precise construction guarantee maximum hail toughness and weather resistance.

With pre-installed 1/2" butyl tape for a secure seal and peace of mind with a 60-year warranty.

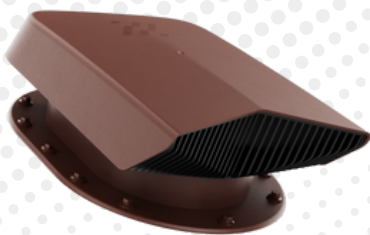
Key Features

- Net Free Area NFA – 53sq.in. = 0,37sq.ft.
- Roof pitch installation from 3:12 to 24:12
- Material UV stable pure polypropylene ensure toughness, durability, and performance of the product. Offers excellent thermal non-conductivity, effectively minimizing condensation and increasing overall efficiency. It does not rust.
- Double protection against birds, small animals or other debris to enter attic space.
- Our unique design allows the opening of the vent and possible inspection without interfering with the connection to the roof covering.
- The oval shape of the vent body ensures a smooth flow of water around. It does not allow water to accumulate over the product.
- Base come with 1/2" butyl tape for installation. The instant bond, flexibility, weather resistance and self-healing properties of the gasket are essential for reliable long-term performance.

Benefits

- Thanks to its design and calculated geometry, iVent FLOW allows heated rising air to easily escape from the attic.
- Prevents overheating of the attic and accumulation of temperature in the structure of the roof and house.
- Prevents the accumulation of moisture, mold and bacteria in the attic or in the structure of the building.
- Effective attic ventilation not only helps reduce cooling or heating costs, but also plays a significant role in maintaining the structural integrity of the home's structure by preventing moisture damage. The growth of mold and bacteria can not only affect your health, but also lead to expensive repairs and maintenance in the long run.

01-BROWN



02-BLACK



09-GRAPHITE



10-LIGHT GRAY



2

WP-2-01-PI

WP-2-02-PI

WP-2-09-PI

WP-2-10-PI

iVent FLOW is the perfect choice for those who want and are looking for efficient and reliable attic ventilation.

Package includes: IVENTFLOW, base with butyl for metal standing seam installation, set of screws, installation instructions