

IVENT ECO PI

Technical data sheet and performance declaration.

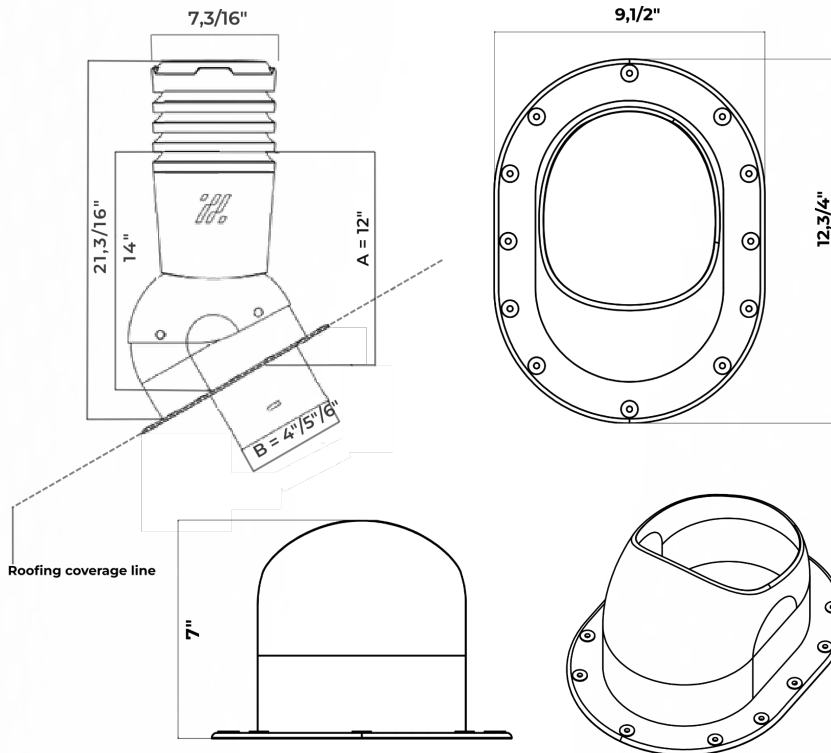
iVent ECO a desirable choice for both residential and commercial applications where effective ventilation is required in kitchens, bathrooms or drayer. The iVent ECO exhaust vent offers a combination of functionality, durability and easy installation. The shape of the vent body is designed to support airflow and ensure effective ventilation. Equipped with a condensate drainage system, it prevents the accumulation of moisture in the duct and structure. Built-in spirit levels ensure easy vertical position and adjustment during installation. Use with new or existing 4"/5"/6" duct systems.

TECHNICAL DATA

| | |
|----------------------------------|------------------------------------|
| MATERIAL | UV stable pure Polypropylene |
| HEIGHT | 21,3/16" |
| SKU | EL-X-XX-PI |
| WEIGHT | 3,42 lb |
| ROOF TYPE INSTALATION | STANDING SEAM OR SNAP-LOCK ROOFING |
| TYPE | IVENT ECO |
| ROOF PITCH REGULATION | 1:12 TO 12:12 PITCH |
| PRODUCER | ROOFIVENT LLC |

TECHNICAL AND PERFORMANCE ASSIGMENST UNIT

ITB



| | |
|------------------------------------|--|
| IDENTIFICATION PRODUCT CODE | EL-X- 01-PI (Brown) EL-X- 02-PI (Black) EL-X- 06-PI (Clay) EL-X- 07-PI (Dark brown) EL-X- 09-PI (Graphite) EL-X- 10-PI (Light Gray) |
|------------------------------------|--|

| | |
|----------------------|--|
| FLANGE FIXING | 12 pcs. Hex washer head screws length 1,1/4" |
|----------------------|--|

| | |
|--------------------|---|
| Attachement | <ul style="list-style-type: none"> • Verification of constancy of performance • Aerodynamical performance |
|--------------------|---|



LIFETIME GUARANTEE Roofivent LLC give lifetime guarantee on functionality of these products. Guarantee doesn't include replacement due to destructive storms.



The performance of the above product is in accordance with the set of declared performance characteristics. This declaration of performance is issued on the basis of tests and technical assessment by ITB. Under the sole responsibility of the manufacturer - ROOFIVENT LLC.

DATA TABLE SHEET

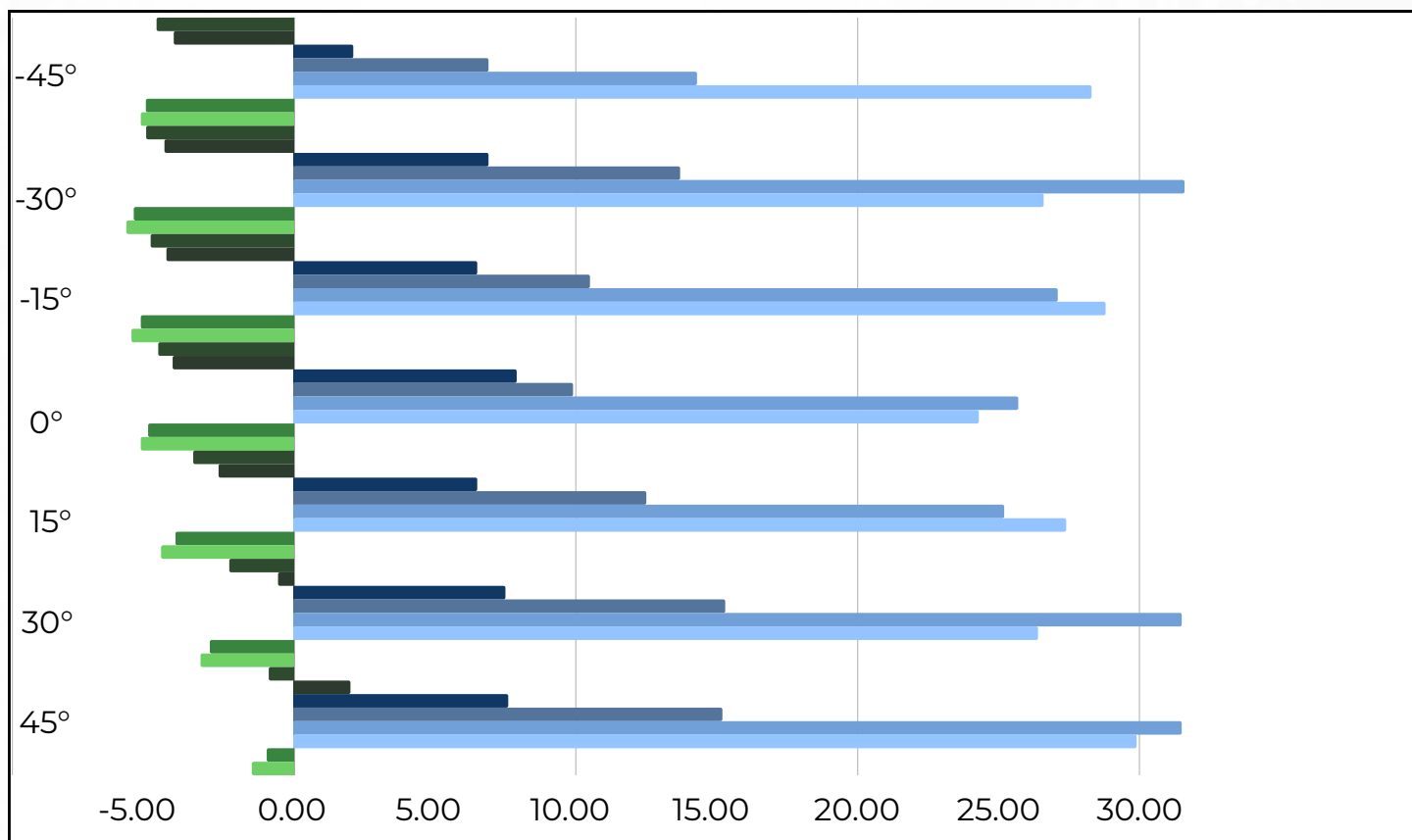
| CHARACTERISTICS | PERFORMANCE PROPERTIES | ASSESSMENTS METHODS |
|---|---|---|
| Dimensions : • Height (A) • Inside diameter (B) | Attachement -A Dimensions | Measurement with measuring instrument with adequate accuracy |
| Vicat softening temperature of PP products: Fahrenheit | >167 | ISO 306:2014 (method B50) |
| Changes as result of heating Polypropylene product | No cracks, delamination and sign of material fission or bubbles greater than 20% of the wall thickness: No part of the seam line exhibits an opening greater than 20% of the wall thickness | ISO 580:2006 method A: dryer Temperature: 300 F Time of heating: 30 min |
| Impact strength of Polypropylene product | No damages | Drop method according to C-89206-2005 Temperature: 32 F Conditioning time: 30 min Drop height: 7 feet |
| Aerodynamic characteristics | Attachment - B | |
| Suction action | Attachment - B | |
| Durability of Polypropylene products - resistance to aging in artificial conditions, with irradiation energy not lower than 2.6 GJ/sq. feet | Delta E < 6 | Method: A Type of lamps: xenon ARC Filter: external, type 300 (cuts off radiation below 300 nm) Irradiance: 60 W/Sq.Feet (measured at 300-400 nm wavelength) BST temperature: 145+37 F (dry period) Chamber temperature: 100+37 F (dry period) Exposure conditions: one cycle included 102 minutes of exposure in a dry enviroment and 18 minutes of exposure in a humid enviroment |

Package includes: IVENT ECO vent, base with butyl for metal installation, vent inlet pipe, set of screws, installation instructions

| Aerodynamical performance | | Kitchen and Bathroom exhaust vent | | Air Flow |
|---------------------------|--------------|--------------------------------------|-----------------------|----------|
| | | SPEED M/h (differential pressure) | CFM (Cubic Feet/Min.) | |
| Product | Dimension | | | |
| IVENT ECO | 6" / 5" / 4" | 6.34 | 69.90 | 1018 CFM |
| | | 8.96 | 96.60 | |
| | | 12.67 | 134.00 | |
| | | 20.04 | 205.90 | |

IVENT ECO - AERODYNAMIC PERFORMANCE

| Pressure coefficient C | | | | | | | |
|---------------------------|----------------------|-------|-------|-------|-------|-------|-------|
| Product Volume Flow | Wind speed 18 mile/h | | | | | | |
| | Angle of wind | | | | | | |
| | CFM | - 45° | - 30° | - 15° | 0° | 15° | 30° |
| 0 | -5.44 | -5.95 | -5.77 | -5.44 | -4.72 | -3.32 | -1.50 |
| 32 | -5.26 | -5.69 | -5.44 | -5.18 | -4.21 | -2.99 | -0.97 |
| 64 | -4.88 | -5.25 | -5.09 | -4.82 | -3.58 | -2.30 | -0.90 |
| 95 | -4.27 | -4.60 | -4.53 | -4.31 | -2.68 | -0.57 | 2.00 |
| 127 | 2.10 | 6.90 | 6.50 | 7.90 | 6.50 | 7.50 | 7.60 |
| 255 | 6.90 | 13.70 | 10.50 | 9.90 | 12.50 | 15.30 | 15.20 |
| 509 | 14.30 | 31.60 | 27.10 | 25.70 | 25.20 | 31.50 | 31.50 |
| 1018 | 28.30 | 26.60 | 28.80 | 24.30 | 27.40 | 26.40 | 29.90 |



Package includes: IVENT ECO vent, base with butyl for metal installation, vent inlet pipe, set of screws, installation instructions



The **iVent ECO** vent is a high-quality ventilation solution that combines functionality, durability, and ease of installation. Designed with a focus on maximizing air flow efficiency, this vent is equipped with innovative features to ensure optimal ventilation performance. From its condensation drain system to its built-in bubble levels, the iVent ECO vent is a reliable choice for maintaining a dry and well-ventilated environment in any weather all year round. With a variety of colors available to suit different roof styles and aesthetics, this vent is versatile and can be seamlessly integrated into various settings. Whether for residential or commercial use, the iVent ECO vent is ideal for kitchens and bathrooms where efficient vertical ventilation is essential.

Key Features:

- Optimal air draft efficiency with the vent body shape designed for maximum ventilation performance.
- Condensation drain system prevents moisture and frost build-up, ensuring a dry environment year-round.
- Built-in bubble levels for precise vertical positioning during installation, saving time and money by ensuring correct placement.
- Butyl tape is able to form an instant and permanent bond to any clean and dry service, but it remains flexible even after withstanding fluctuating conditions.
- It is extremely weather-resistant because it self-heals, which means bolts and fasteners won't hinder its sealing abilities. That makes it particularly valuable for roofing applications as installation, and even reinstallation down the line, will not compromise its durability.
- Available in a variety of colors to complement different roof styles and aesthetics.
- Compatible with existing 4", 5", or 6" systems, offering versatility in installation options.
- Suitable for both residential and commercial applications, making it an excellent choice for kitchens and bathrooms requiring efficient vertical ventilation.

Benefits:

- Ensures effective extraction of used air from kitchen and bathroom duct.
- Thanks to its aerodynamic properties, it does not require a backdraft damper.
- Protects the ventilation system and the house structure from condensation.
- Facilitates accurate and easy installation
- Offers versatility in installation options



The iVent ECO Vent is the perfect choice for those looking for a reliable and efficient ventilation solution that is easy to install and built to last.

Package includes: IVENT ECO vent, base with butyl for metal installation, vent inlet pipe, set of screws, installation instructions